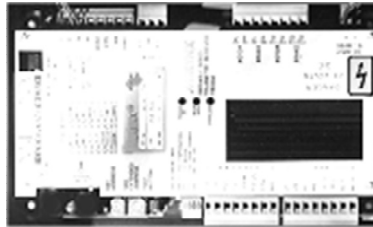




## RX-AC17-P-PCB

# 17 Function Preset AC Telemetry Receiver



## RX-AC17-P-PCB

The RX-AC17-P-PCB is a compact 17 function preset telemetry receiver, compatible with Pelco D Telemetry, supplied as 230V AC input and output unit.

Additionally, the RX-AC17-P-PCB offers preset positioning of the pan, tilt, zoom and focus functions. Up to 93 preset positions may be stored in the receiver (check transmitter capability).

A test button provides a comprehensive test facility to ease installation and maintenance.

### Receiver Options / part codes

RX-AC17-P-PCB	Optional 230V AC or 110V AC input
RX-AC17-P-PCB-24	Factory fit 24V AC input available

**Before attempting to connect or operate this product, please read the instruction manual completely**

Williams Electronics Ltd  
Tel: +44 (0)2921 660 234

www.w-e.co.uk  
Fax : +44 (0)2921 660 270,

Email : sales@w-e.co.uk

Whilst every effort has been made to ensure that all information contained in this document is correct at the time of publication, due to our policy of continuous product improvement, the company reserves its right to change any information contained herein without notice.  
Williams Electronics Limited trading as MOLYNX Systems.



# Technical data

## Dimensions

L	W	H	Weight
PCB ~ 194mm	112mm	30mm	0.5kg

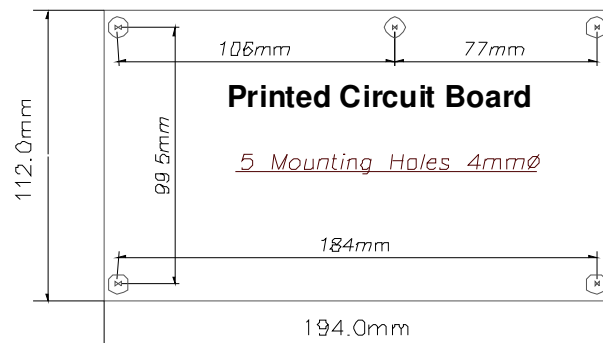
## Mechanical Specifications

**Mounting Details:** PCB – 5 x 4mm dia. holes.

**Weight:** Printed circuit board: 500g

**Operational:** Operating temperature: -20°C to +40°C. (Ta = +25°C)

MTTR: 30 Mins MTBF: 30,000hrs at Ta



## Electrical Specifications

### Power Requirements:

Optional 230V, 110-120V or, 24V AC 50/60Hz @ 20VA

### Mains Cable:

Recommended minimum : 0.75mm<sup>2</sup> (Supply fused at 6Amps or less.).

### Fuse Ratings :

Board Fuse : F0.25AH (250mA 250 V AC 5x20 Type (F), HBC)

Auxiliary Functions : T2AH (2 A 250 V AC 5x20 Type (T), HBC)

Pan and Tilt Functions : T2AH (2 A 250 V AC 5x20 Type (T), HBC)

## Operation

### Protocol: Pelco D RS485 (tested using a Pelco KBD300A)

- Pan, tilt, zoom, focus, iris, auto iris and auxiliary functions of, wash, wipe, camera and lamps.
- 93 preset positions per camera head assembly.
- Self test facility
- RS485 Pelco D protocol. 2400, N,8, 1

Function	Preset / Keystroke Needed
Wash On 5 seconds	Preset 99 or 1 then AUX on
Wipe On	Preset 98 or 2 then AUX on
Wipe off	Preset 98 or 2 then AUX Off
Cam On	Preset 97 or 3 then AUX On
Cam Off	Preset 97 or 3 then AUX Off
Lamps On	Preset 96 or 4 then AUX On
Lamps Off	Preset 96 or 4 then AUX Off
Aux Relay On	Preset 95 or AUX On
Aux Relay Off	Preset 95 or AUX Off

Function	Preset / Keystroke Needed
Preset Store (1 -93)	Number then hold preset button for 2 seconds
Preset Recall (1 – 93)	Number then preset button
CAMERA RESET	Preset 94 or 9 then AUX ON
Preset Tour of Presets 1,2,3,4 repeated (5 sec dwell)	Pattern or 1 Pattern
Preset Tour of Presets 1 , 2 repeated (5 sec dwell)	2 Pattern
Preset Tour of Presets 1 , 2, 3 repeated (5 sec dwell)	3 Pattern
Preset Tour of Presets 1---9 repeated (5 sec dwell)	n Pattern (n = 1 to 9)

**Before attempting to connect or operate this product, please read the instruction manual completely**



**Williams Electronics Ltd**

Tel: +44 (0)2921 660 234

**www.w-e.co.uk**

Fax : +44 (0)2921 660 270,

Email : sales@w-e.co.uk

Whilst every effort has been made to ensure that all information contained in this document is correct at the time of publication, due to our policy of continuous product improvement, the company reserves its right to change any information contained herein without notice.  
Williams Electronics Limited trading as MOLYNX Systems.